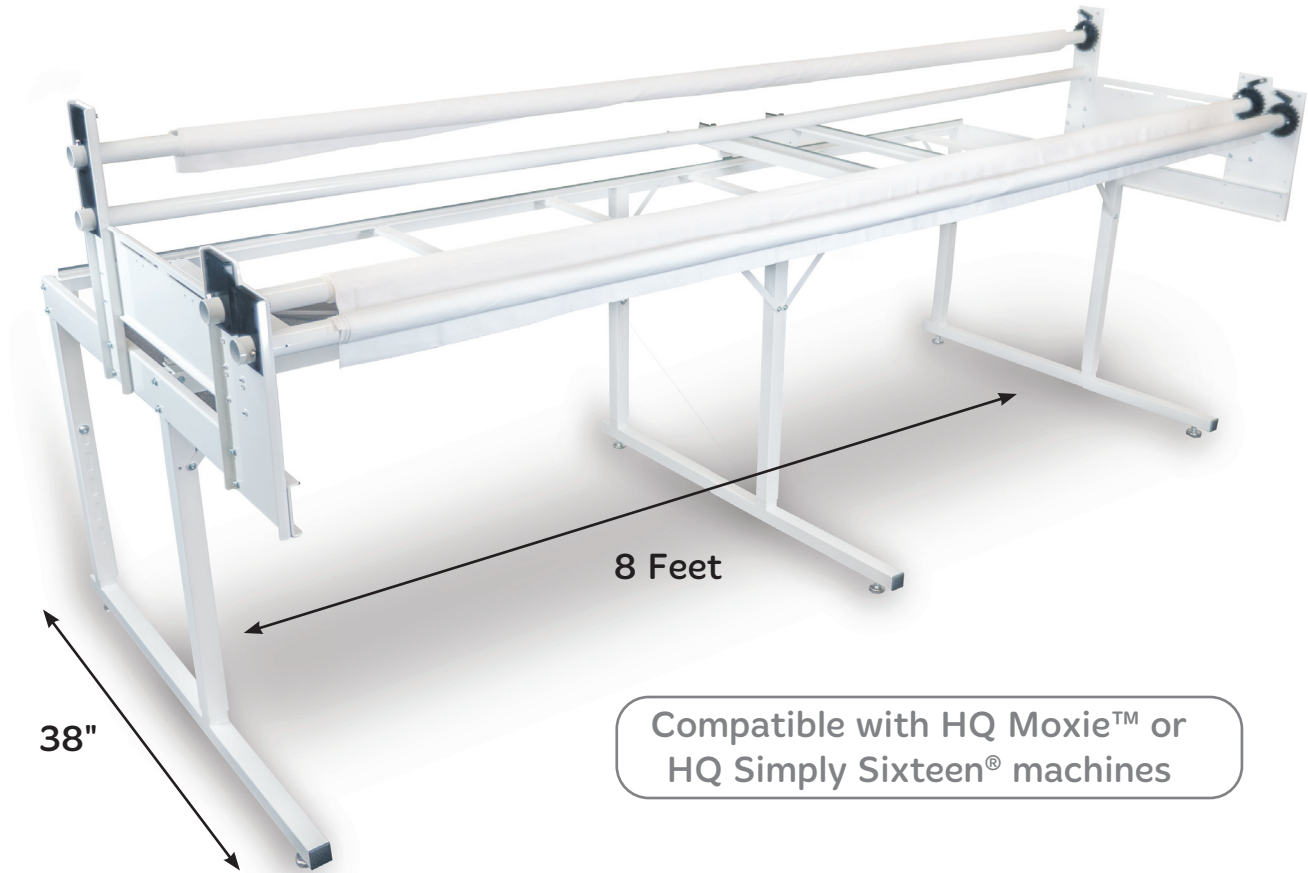


# HQ Loft™ FRAME

The versatile HQ Loft™ Frame features the essentials of a professional quilting frame system and optional accessories to create a personalized quilting experience.



## HQ Loft Frame Features

- 8-foot frame extends easily to 10-foot with optional kit
- Height-adjustable table can be customized for quilter
- Choose from two different loading modes: High (for a standard “quilt in the trough” experience, useful for beginners) or Low (for better visibility when using rulers)
- Made of high-quality, powder-coated steel for a firm base for longarm quilting
- Ratcheted-pole ends hold quilt firmly for perfect stitching
- Comes ready to quilt! Two side clamps and heavy-duty 3-piece leader set included

## Optional Accessories

- HQ Loft Frame 2-foot extension kit (to create a 10-foot HQ Loft Table)
- 8-foot table top kit (to create a surface for pantograph placement)
- HQ Mini Casters

 **Handi Quilter®**

Designed by a Quilter, for Quilters.®

Part # QM99999-27. • 0820  
[www.HandiQuilter.com.au](http://www.HandiQuilter.com.au) (02) 4337-3737